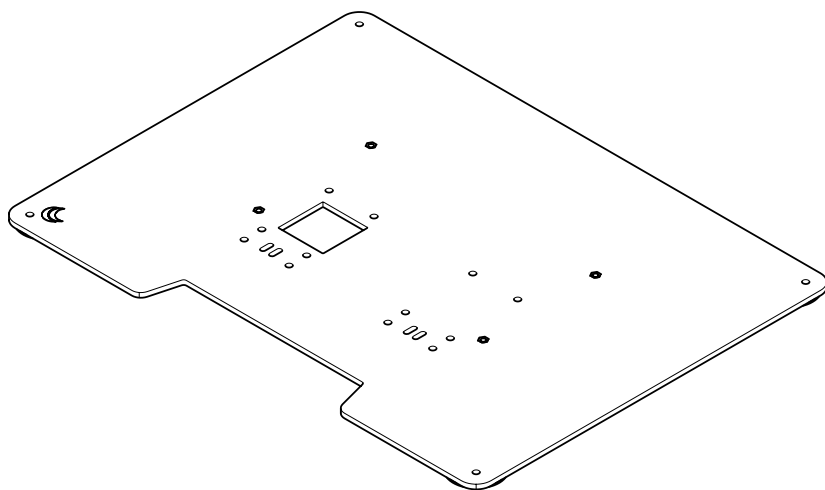


# Installation Guide

## SPSK513

### SCO Kiosk Baseplate for counter



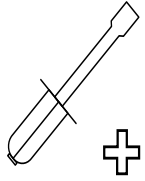
**CAUTION**

This product is intended for indoor use only.

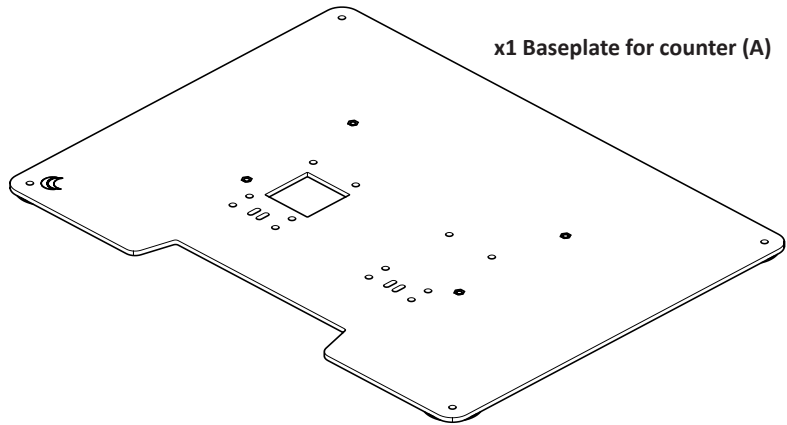
If these installation instructions are not followed correctly, it could lead to product failure and potential personal injury.

Ergonomic Solutions/SpacePole cannot be held responsible for any failure or injury, if the installation instructions are not followed correctly.

**Tool list**



**Box content**

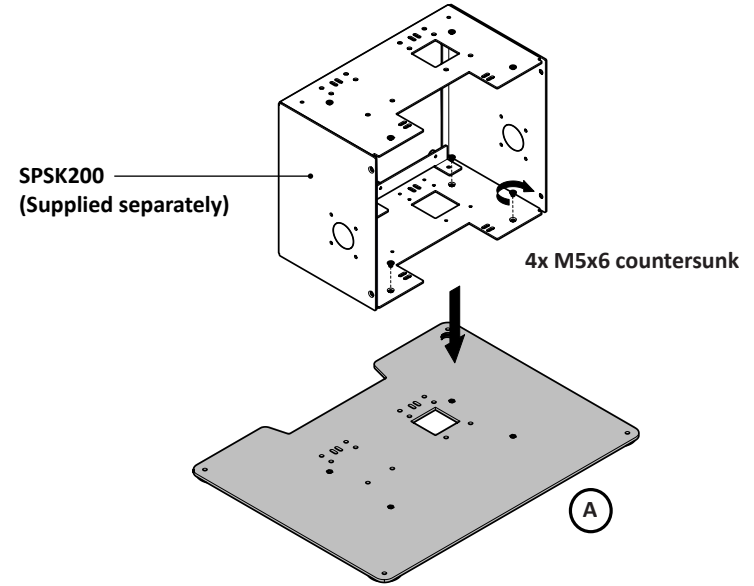


x1 Baseplate for counter (A)

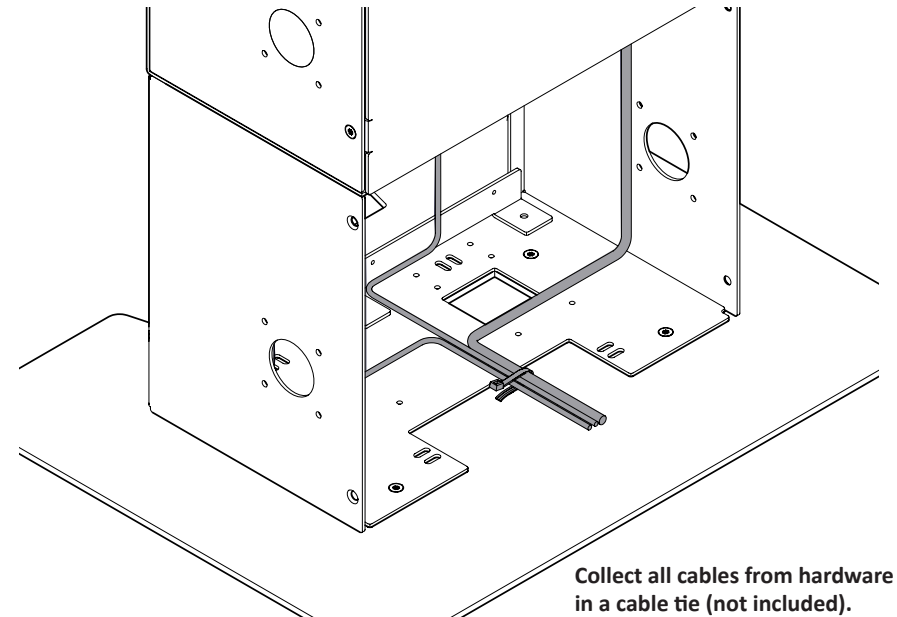


x4 M5x6 countersunk

**1 Assemble center module on baseplate**

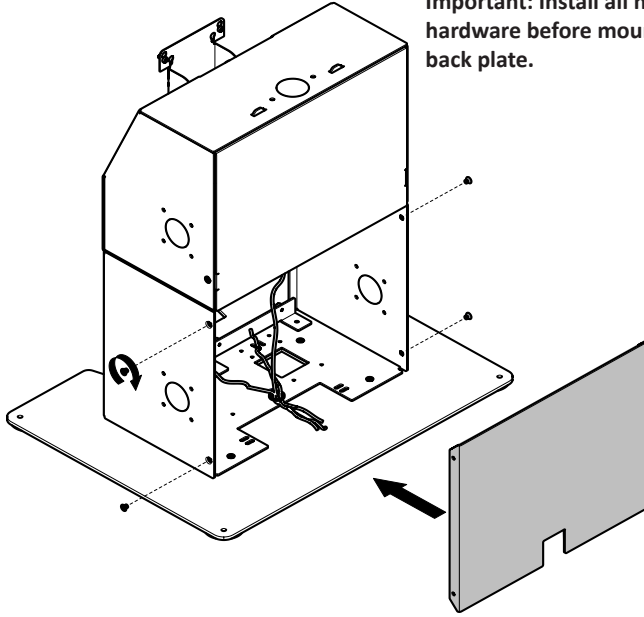


**2 Route cables**



**3** Install backplate on center module

**Important:** Install all needed hardware before mounting the back plate.



**SCO Kiosk counter mounted solution**

