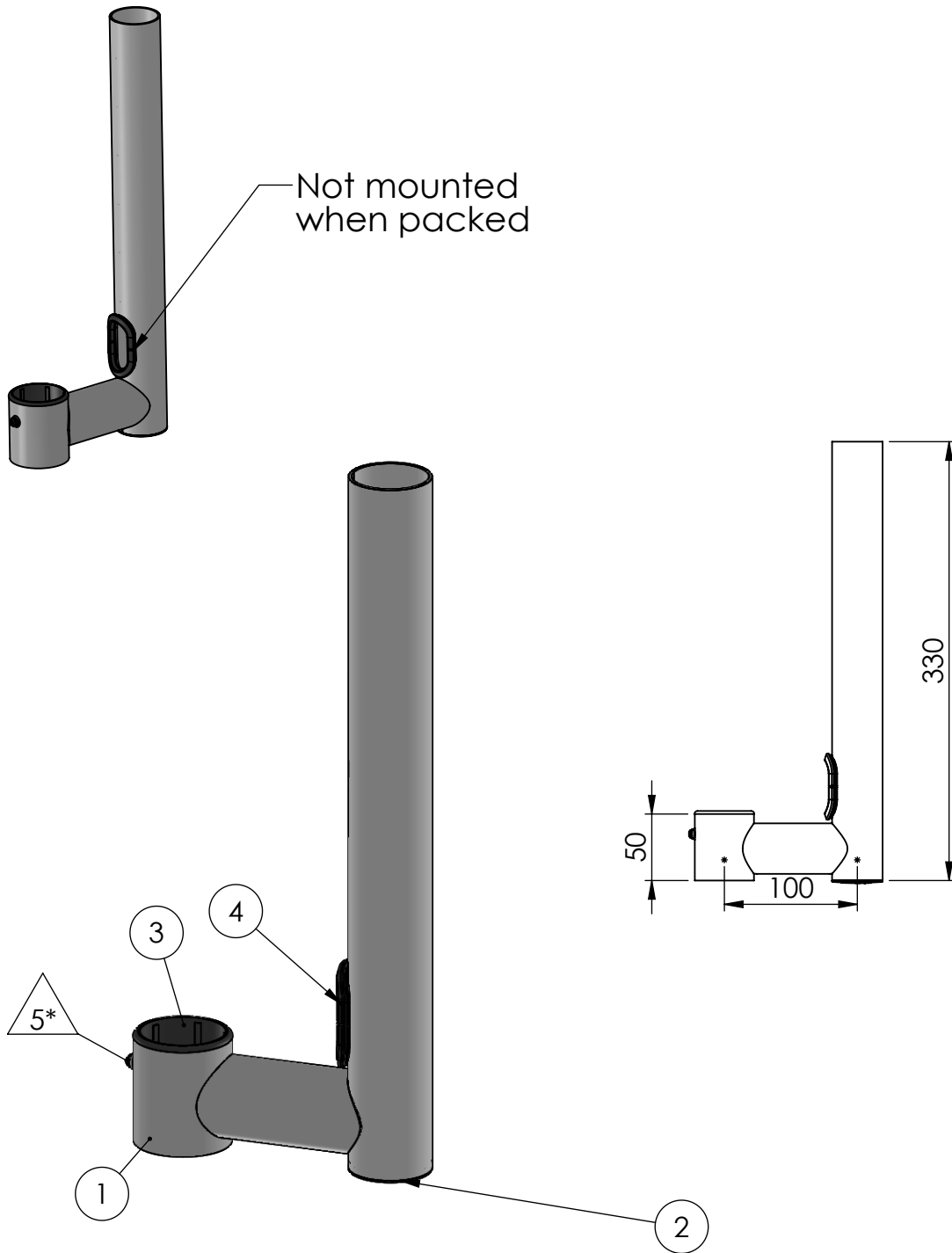



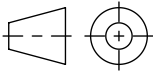
Rev.	Change	Date	Init.
A	Prototype approved and P/N issued	12-01-2024	EG



POS	PARTNUMBER	C200287_S1	DESCRIPTION
1		1	Swingarm SP1, 100mm, Endpole 330mm
2		1	SP1 End Cap with SpacePole Logo
3		1	Plastic Anti-Wobble sleeve, SP1 long and black
4		2	Plastic cable grommet
5		1	Grub screw M6x6mm with hex hole, black

**\*SELECT VARIANT**

See triangular balloon & parts list

<b>Description</b> Swingarm SP1, 100mm, Endpole 330mm and cable hole		<b>Weight</b> 1.69 kg	<b>Revision</b> A
	<b>COPYRIGHT © ERGONOMIC SOLUTIONS 2024</b> <a href="http://www.ergonomic.solutions">www.ergonomic.solutions</a>	<b>Size: A4</b>	<b>Name</b> egn
		<b>Drawn</b>	emil.gyldendal
Unless otherwise specified tolerances according to ISO 2768-m All dimensions are in millimeters		<b>Last Update</b>	<b>Date</b> 12-01-2024
 1st Angle Projection		<b>Drawing No</b>  <b>1017N</b>	