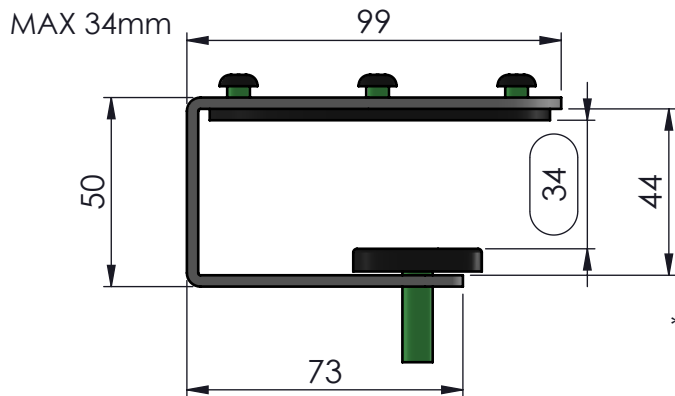
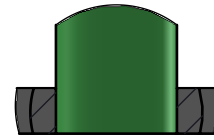


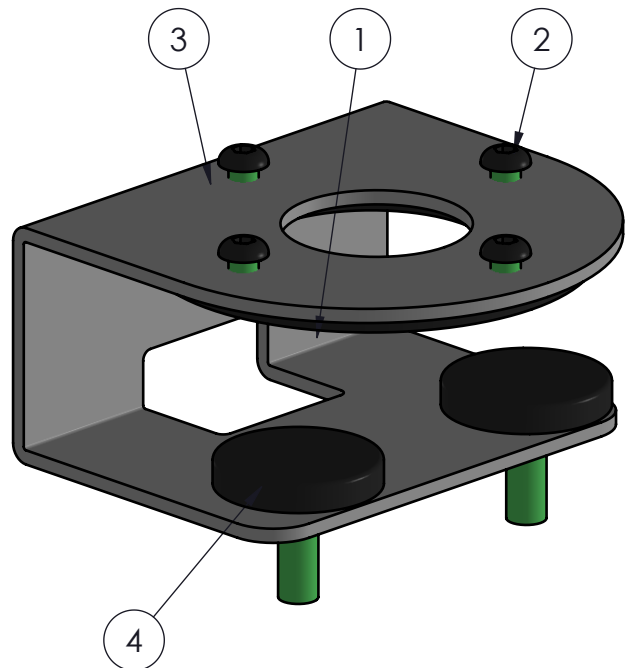
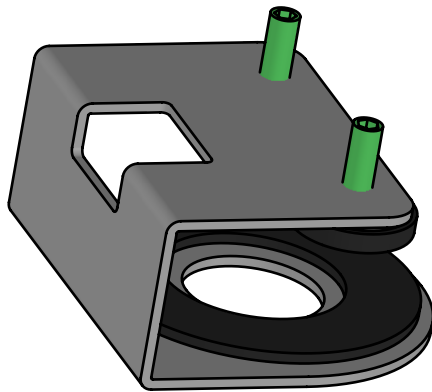
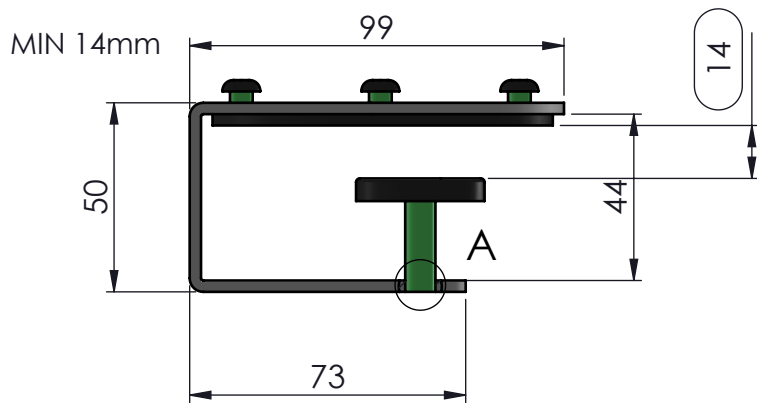
Rev.	Change	Date	Init.
A	Prototype approved and P/N issued	12-08-15	PL



DETAIL A  
SCALE 2 : 1



\*Precaution: Never tighten past flush with metal

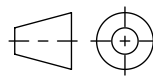


POS	PARTNUMBER	Default t/QTY.	DESCRIPTION
1		1	Bracket for Clamp for 40mm table
2		4	Hex socket button head cap screw, M6x6mm
3		1	Rubberfelt 3mm for Flange (FP Series)
4		2	Adjusting screw, M8x30mm with black cap

<b>Description</b> Clamp - counter thickness range 14-34mm	<b>Category</b> Poles	<b>Weight</b> 0.60 kg	<b>Revision</b> A
---	--------------------------	--------------------------	----------------------

	<b>COPYRIGHT © ERGONOMIC SOLUTIONS 2021</b> <a href="http://www.ergonomic.solutions">www.ergonomic.solutions</a>	<b>Size:</b> A4	<b>Name</b>	<b>Date</b>
		<b>Drawn</b>	pl	30-09-2014
		<b>Last Update</b>	Lasse.Christensen	26-03-2021

Unless otherwise specified tolerances according to ISO 2768-m  
All dimensions are in millimeters



1st Angle Projection

**Drawing No**  
**SPQC-TC002**