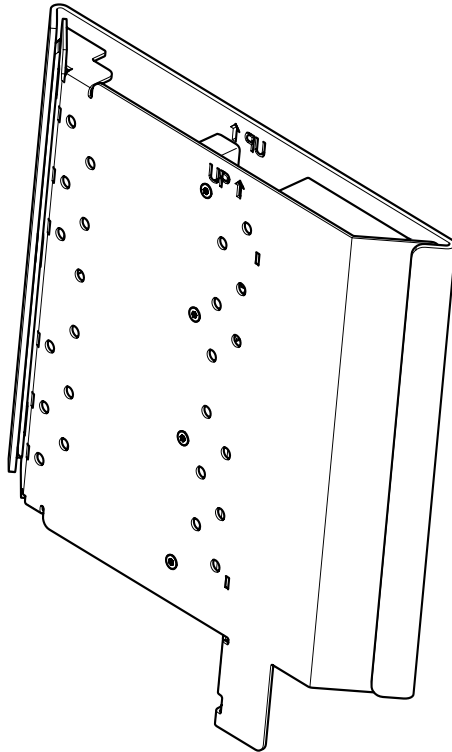


# Installation Guide

**SPSK514**

**SCO POSlift for kiosk**



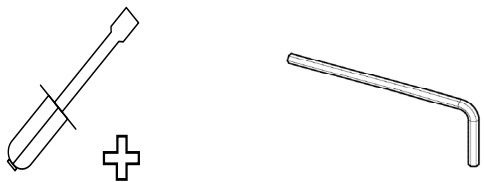
**CAUTION**

This product is intended for indoor use only.

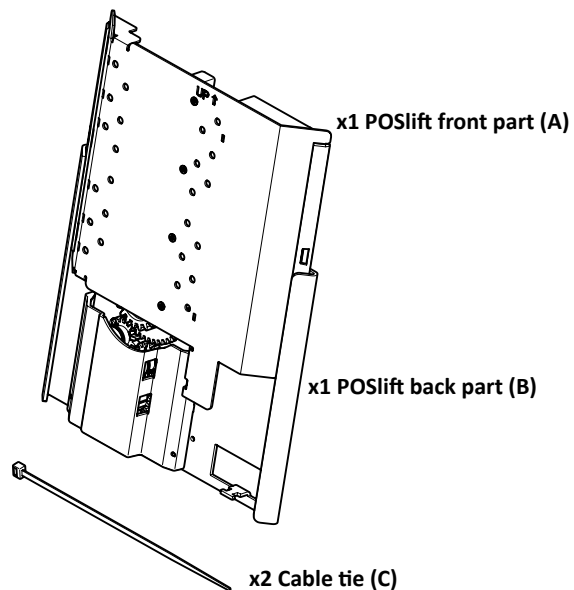
If these installation instructions are not followed correctly, it could lead to product failure and potential personal injury.

Ergonomic Solutions cannot be held responsible for any failure or injury, if the installation instructions are not followed correctly.

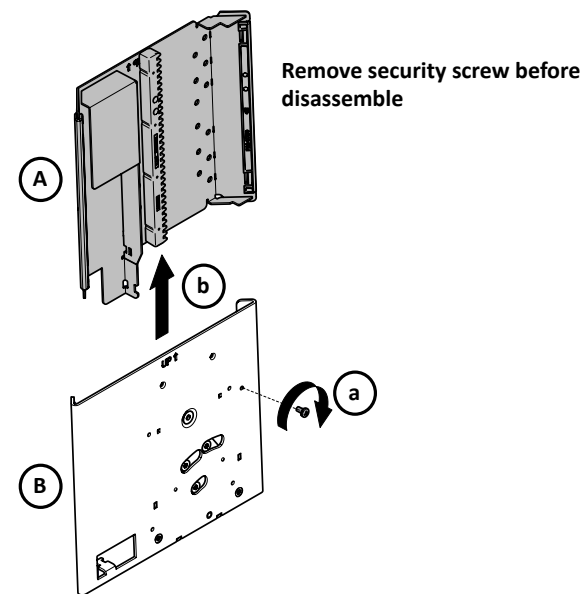
**Tool list**



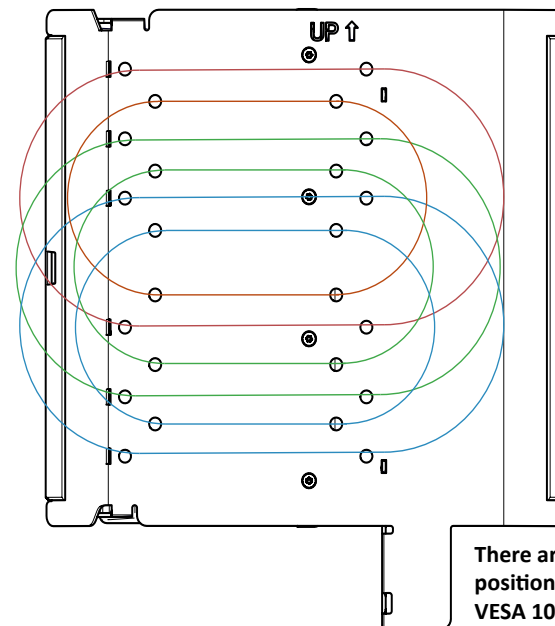
**Box content**



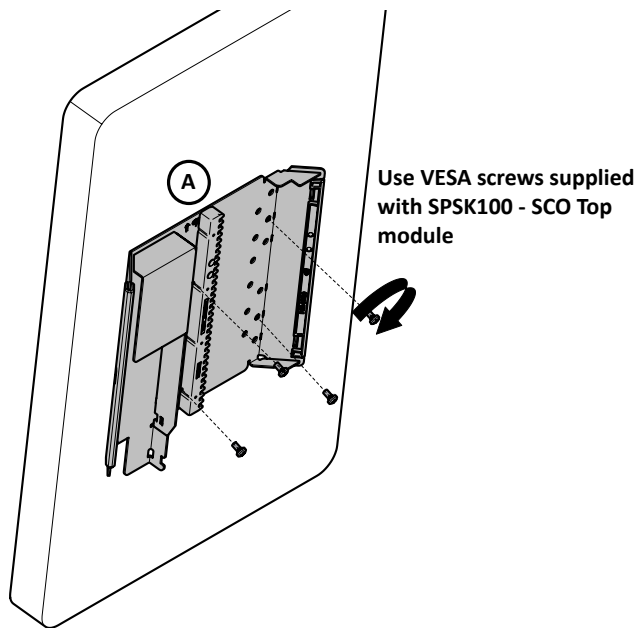
**1 Disassemble the two parts**



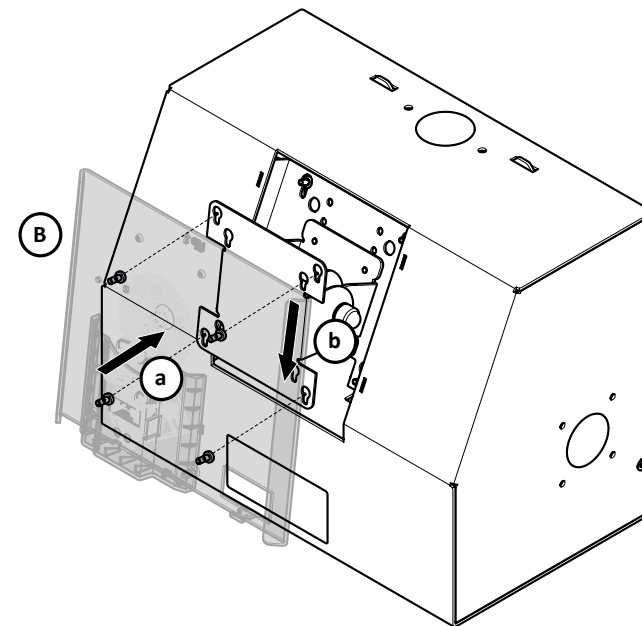
**2 Option for screen position**



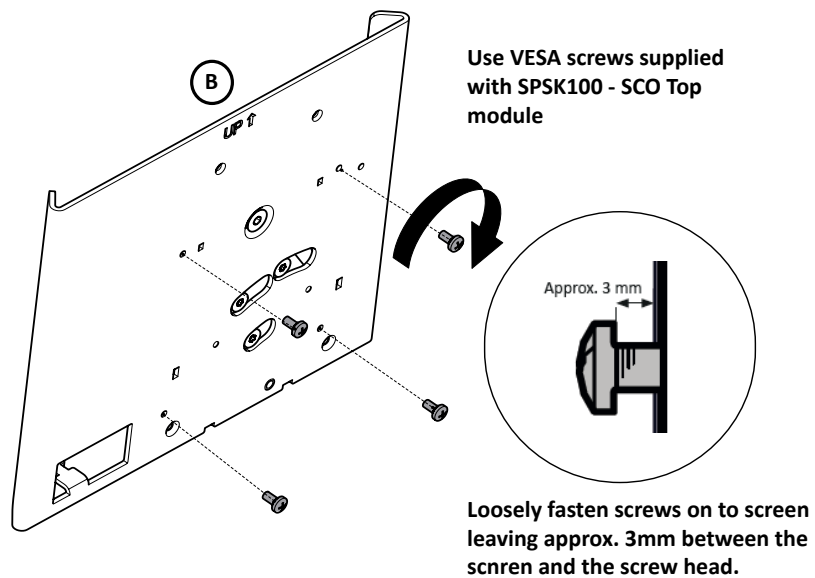
**2a** Mount VESA adapter on screen



**4a** Install back part on SCO kiosk top module

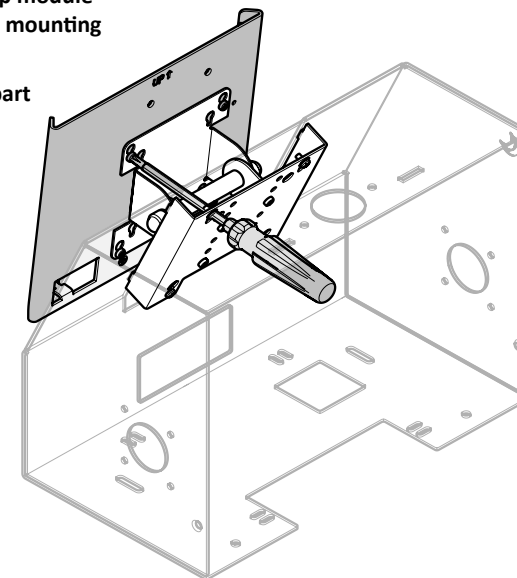


**3** Prepare POSlift back part for installation

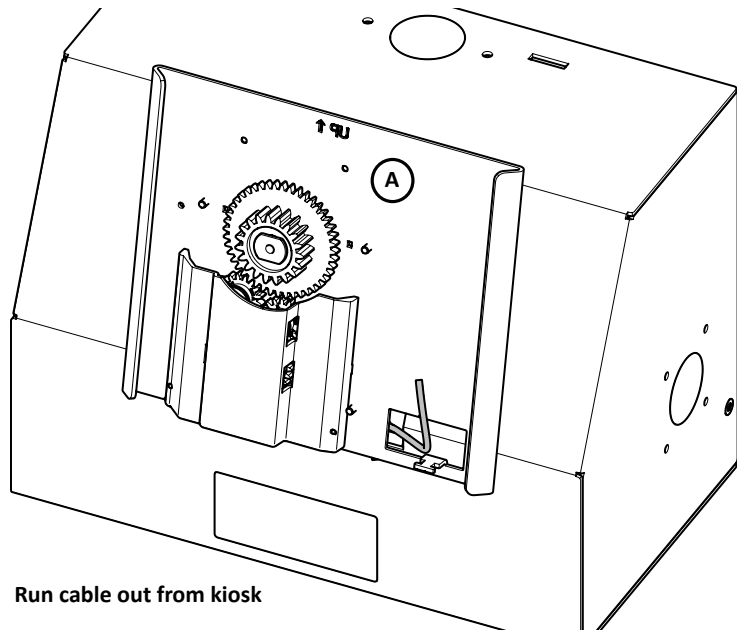


**4b** Install back part on SCO kiosk top module

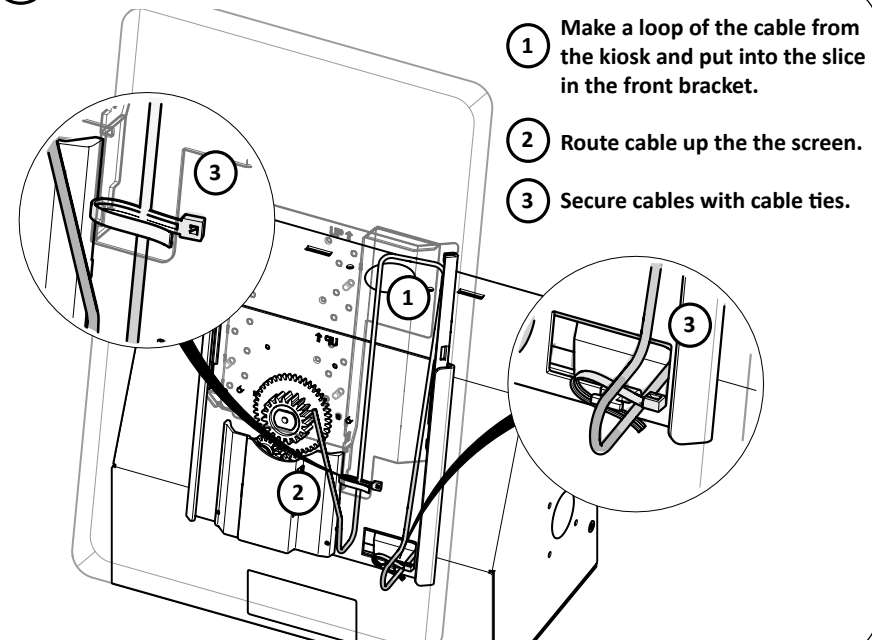
- 1 Align keyholes on top module for easy access when mounting the screen.
- 2 Mount POSlift back part through the holes.



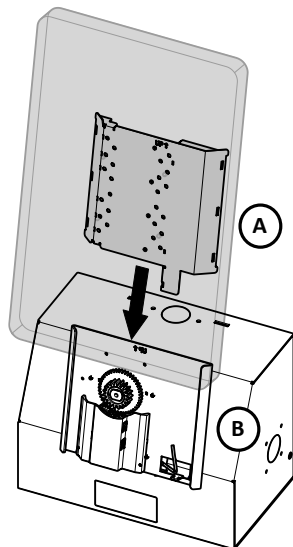
### 5 Cable management from kiosk



### 7 Cable management in POSlift



### 6 Assemble the two parts



### 8 Secure POSlift with security screw

