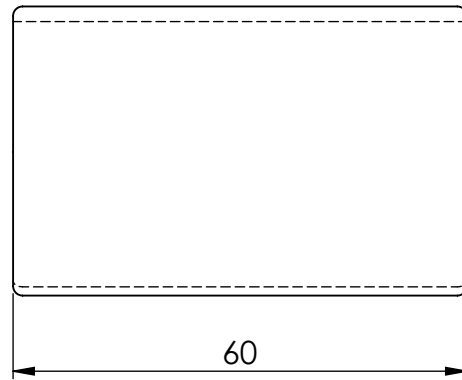
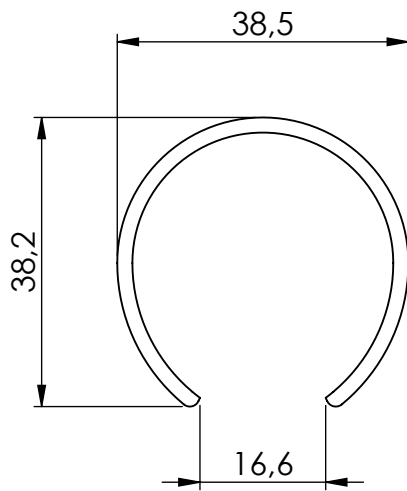
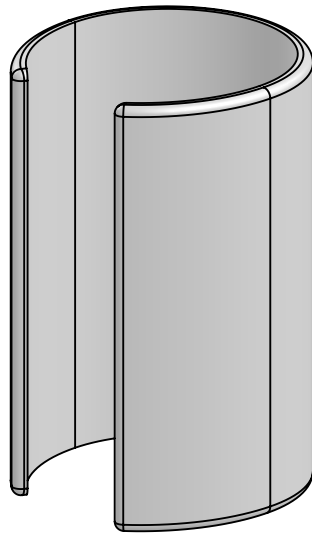

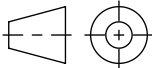


Rev.	Change	Date	Init.
A	Prototype approved and P/N issued	30-05-2022	pkr



Description SP1 & SP2 cable hole cover (plastic)		Category	Weight 0.01 kg	Revision A	
	COPYRIGHT © ERGONOMIC SOLUTIONS 2022 www.ergonomic.solutions		Size: A4	Name	
			Drawn	pkr	13-09-2021
			Last Update	per.krabbe	09-08-2022
Unless otherwise specified tolerances according to ISO 2768-m All dimensions are in millimeters		 1st Angle Projection	Drawing No P22-00335		