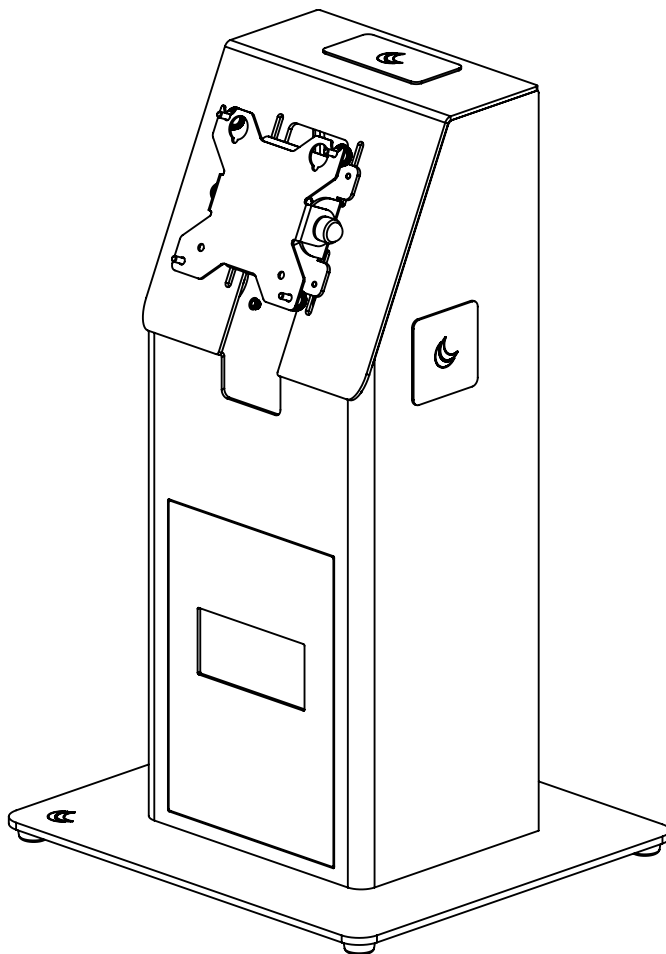


# Installation Guide

## SpacePole Mini Kiosk Countertop

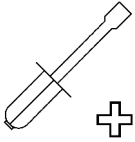




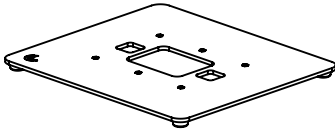
## CAUTION

- Please ensure that you read and understand the content of the installation guide before you begin the installation process.
- This product must be installed by a professional installer.
- This product is intended for indoor use only.
- This product is designed to be either freestanding or bolted to the surface.
- This product is stable, when it is freestanding and placed on a flat and level installation location.
- If this product is subjected to push force of more than 9kg for any direction, it is recommended that it be bolted to the surface.
- It is the responsibility of the installer to use the appropriate fixings for the specific installation location. Please follow the fixing suppliers recommendations for installation. The fixings should be thread size M8 with steel grade 8.8 or better (min. yield strength of 600 N/mm<sup>2</sup>).
- Do not overtighten the fixings.
- This solution is designed for certified hardware and accessories. Always follow the installation guide from the hardware manufacturer for correct installation.
- Please don't power the hardware, until the entire solution is fully assembled.
- If these installation instructions are not followed precisely, it could lead to product failure and potential personal injury.
- Ergonomic Solutions / SpacePole inc. cannot be held responsible for any product failure or personal injury, if the installation instructions are not followed correctly.
- Ergonomic Solutions / SpacePole inc. cannot be held responsible for any product failure or personal injury, if any modifications have been made to the product by the customer.

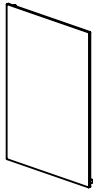
## Tool list



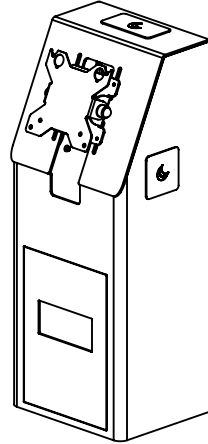
## Box content



1x (A)



1x (C)



1x (B)



5 x M5x6 Countersunk screws

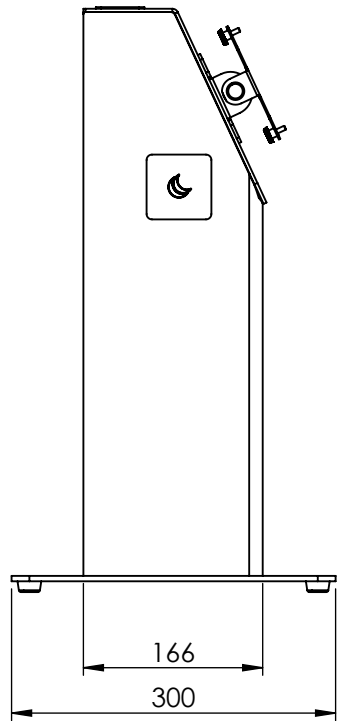
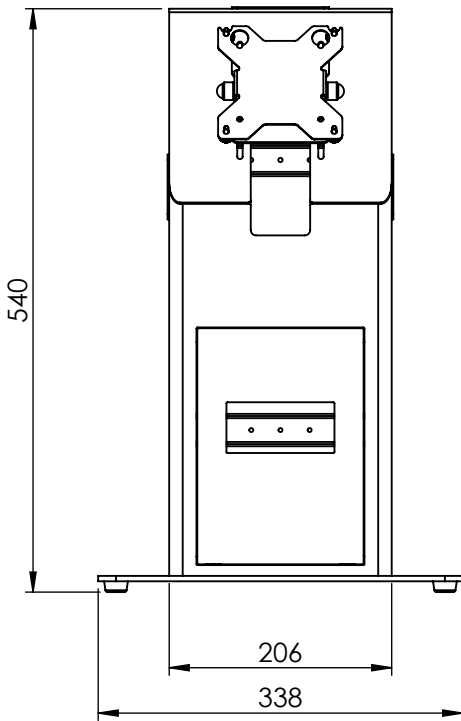


4 x M4 Thumb screws



4 x Ø4,2x5mm Spacers

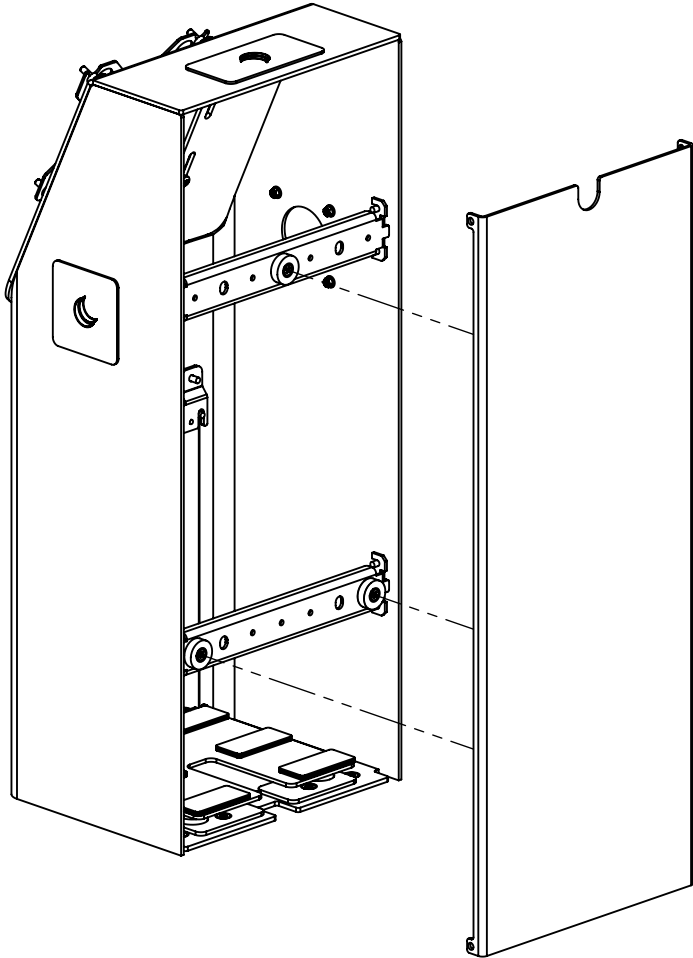
# Dimensions [mm]



# Steps

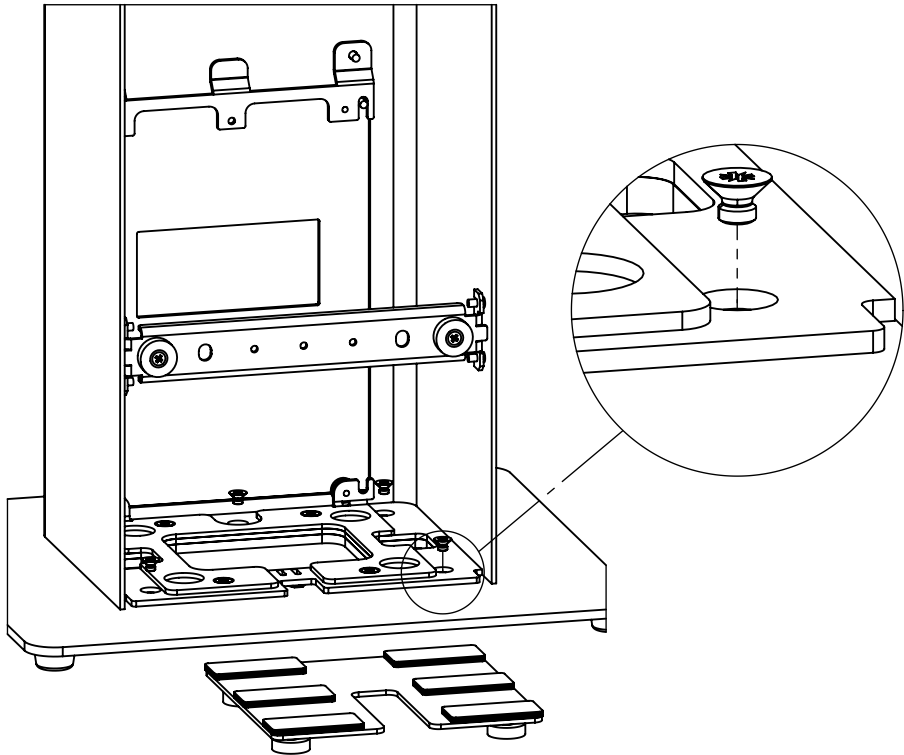
## Step 1:

Remove the backplate by pulling it off the magnets.



# Steps

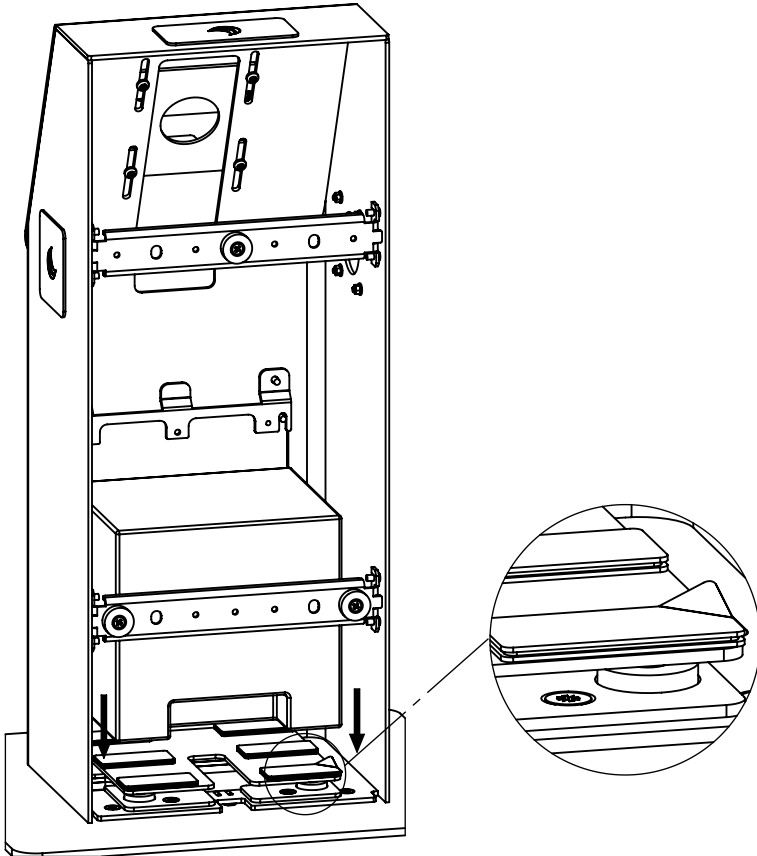
**Step 2:** Remove the printer plate by lifting it up, and then attach the top and base plate using the five included M5x6 countersunk screws, tightening them securely.



# Steps

**Step 3:** Remove the protective paper from the Velcro. Position the printer as far forward as possible, and then press the printer down onto the self-adhesive Velcro.

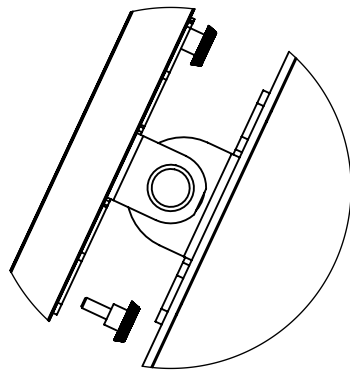
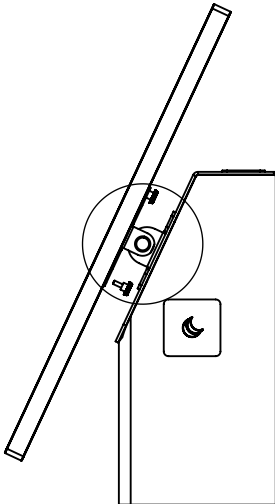
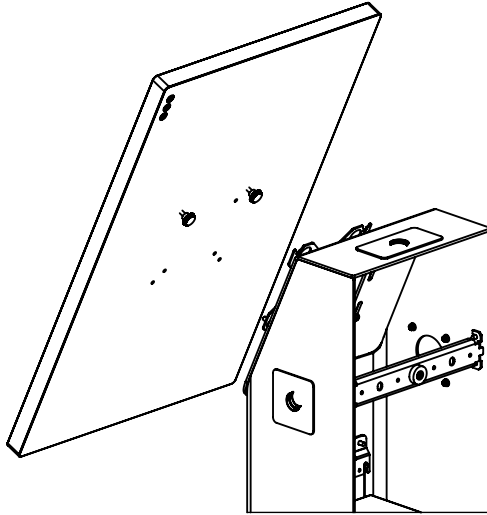
If no printer is used, replace the front cover with Part C and skip this step.



# Steps

**Step 5:** Mount two of the included thumb screws to the top VESA holes on the screen and hook the screen onto the keyholes of the VESA plate. Then, attach the remaining two thumb screws to the bottom two holes on the screen and tighten them securely.

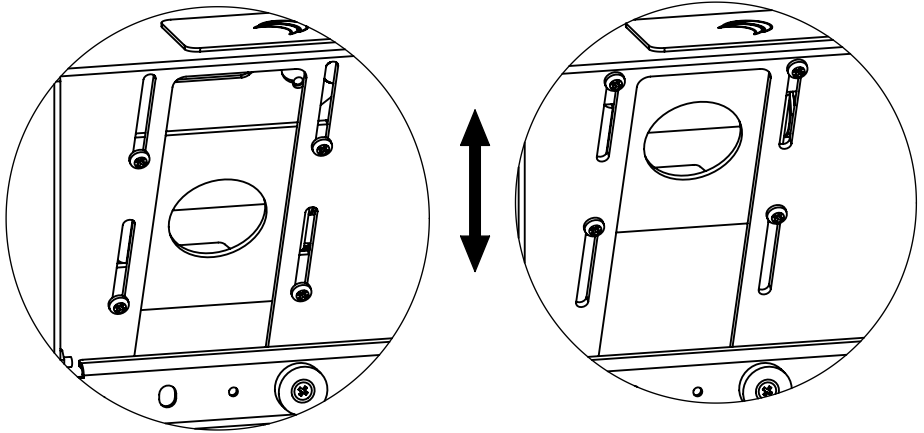
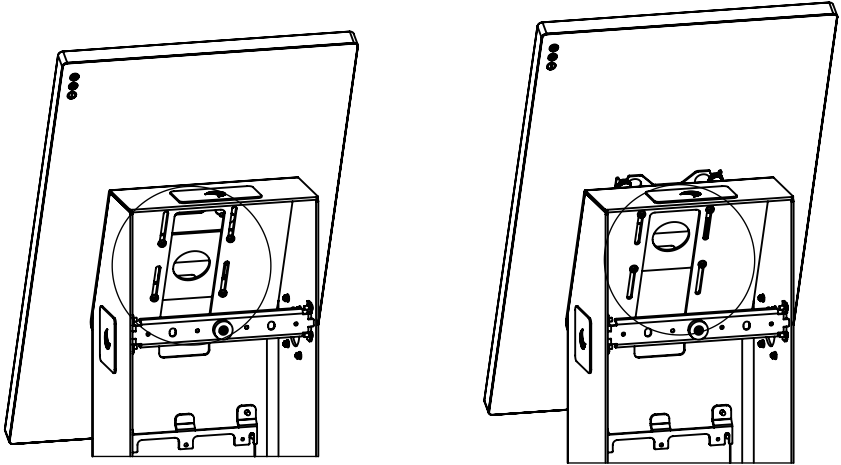
**Note:** For screens with short threaded inserts, use the included spacers.





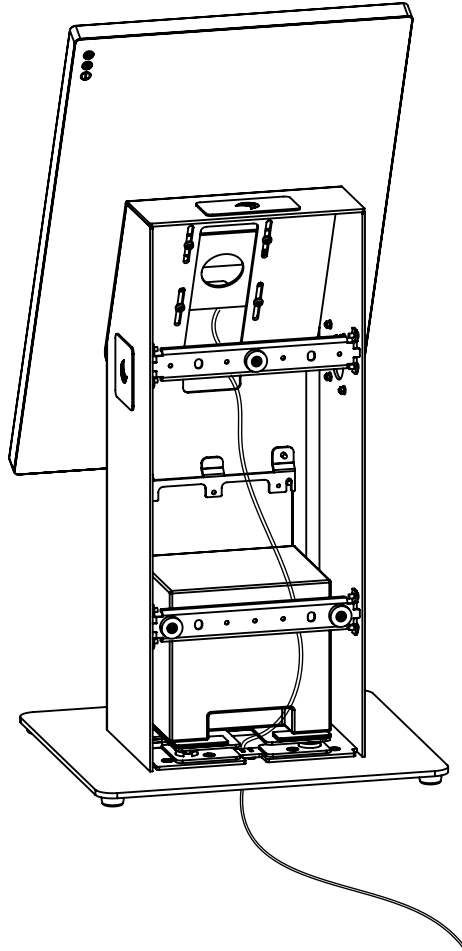
# Steps

**Step 6:** To adjust the height of the screen, loosen the four screws slightly. Set the VESA mount to the desired height, and tighten the screws securely.



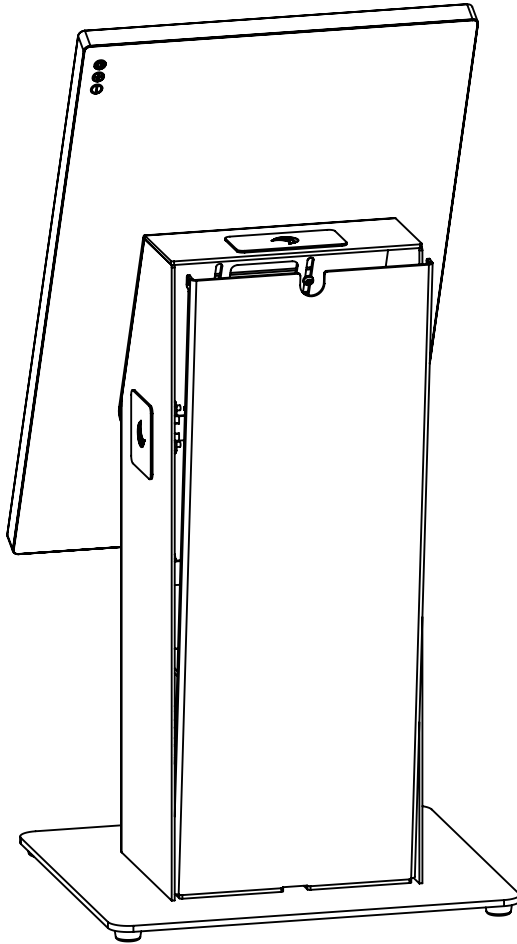
# Steps

**Step 7:** Guide the cables down through the module and out under the base plate. Use cable ties and attach the cables to the crossbars. Cable ties are not included.



# Steps

**Step 8:** Carefully reattach the backplate.



**Need help? Contact us**



[ergonomic.solutions/about/contact-us](https://ergonomic.solutions/about/contact-us)

[spacepole.com/about/contact-us](https://spacepole.com/about/contact-us)