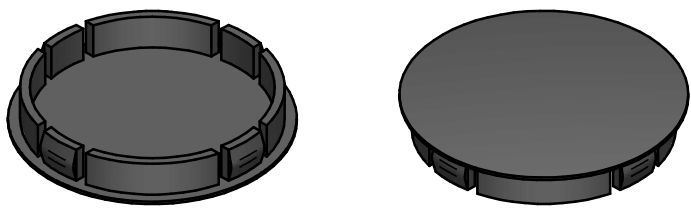
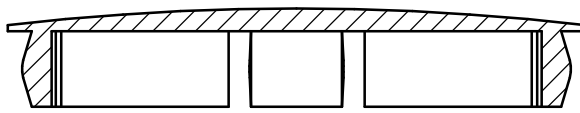
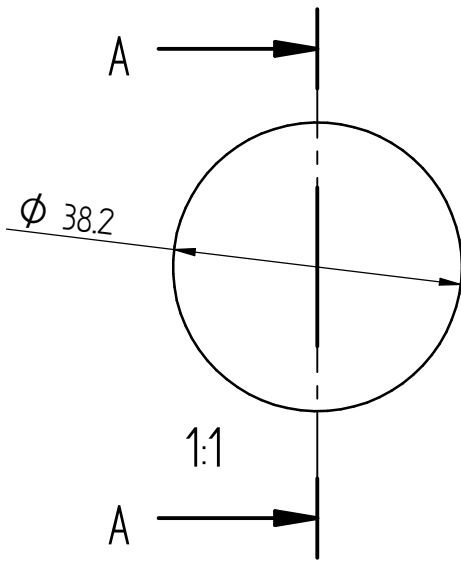
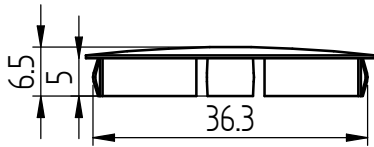
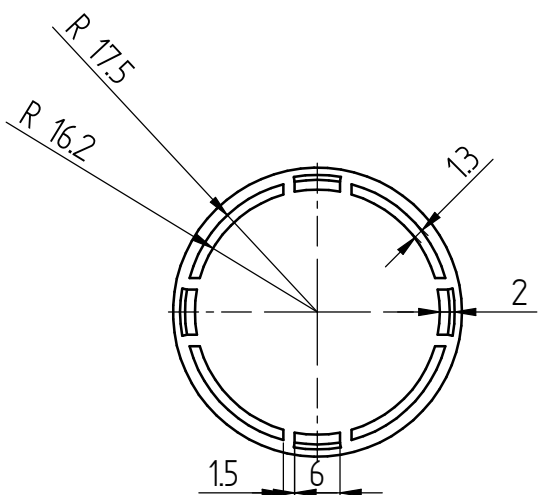




Rev	Change	Date	Int.
A	Drawing created, material table added	03-05-10	BB



TOLERANCES PR ISO 2768

Designation	Description	0,5-3	3-6	6-30	30-120	120-400	400-1000	1000-2000	2000-4000	X°
f	fine	$\pm 0,05$	$\pm 0,05$	$\pm 0,1$	$\pm 0,15$	$\pm 0,2$	$\pm 0,3$	$\pm 0,5$	--	$\pm 0,5^\circ$
m	medium	$\pm 0,1$	$\pm 0,1$	$\pm 0,2$	$\pm 0,3$	$\pm 0,5$	$\pm 0,8$	$\pm 1,2$	$\pm 2,0$	$\pm 1,0^\circ$

Material PC-ABS C2100	<b>Description</b> SP1 end cap		<b>Product Line</b> SpacePole	<b>Weight</b> 0,002 kg	<b>Version</b> A
	 <b>ergonomic solutions</b>	<b>COPYRIGHT © ERGONOMIC SOLUTIONS 2010</b> <a href="http://www.ergonomic-solutions.net">www.ergonomic-solutions.net</a>		<b>Size: A4</b>	<b>Name</b> BB
Unless otherwise specified tolerances according to ISO 2768-m All dimensions are in millimeters		<b>Drawn</b>			
		<b>Checked</b>			
			<b>Drawing No</b>	<b>P22104-02</b>	

<b>Description</b> SP1 end cap		<b>Product Line</b> SpacePole	<b>Weight</b> 0,002 kg	<b>Version</b> A
 ergonomic solutions	<b>COPYRIGHT © ERGONOMIC SOLUTIONS 2010</b> <a href="http://www.ergonomic-solutions.net">www.ergonomic-solutions.net</a>	<b>Size: A4</b>	<b>Name</b>	<b>Date</b>
		<b>Drawn</b>	BB	26-09-2013
		Unless otherwise specified tolerances according to ISO 2768-m All dimensions are in millimeters	<b>Checked</b>	<b>Drawing No</b>
			<b>P22104-02</b>	