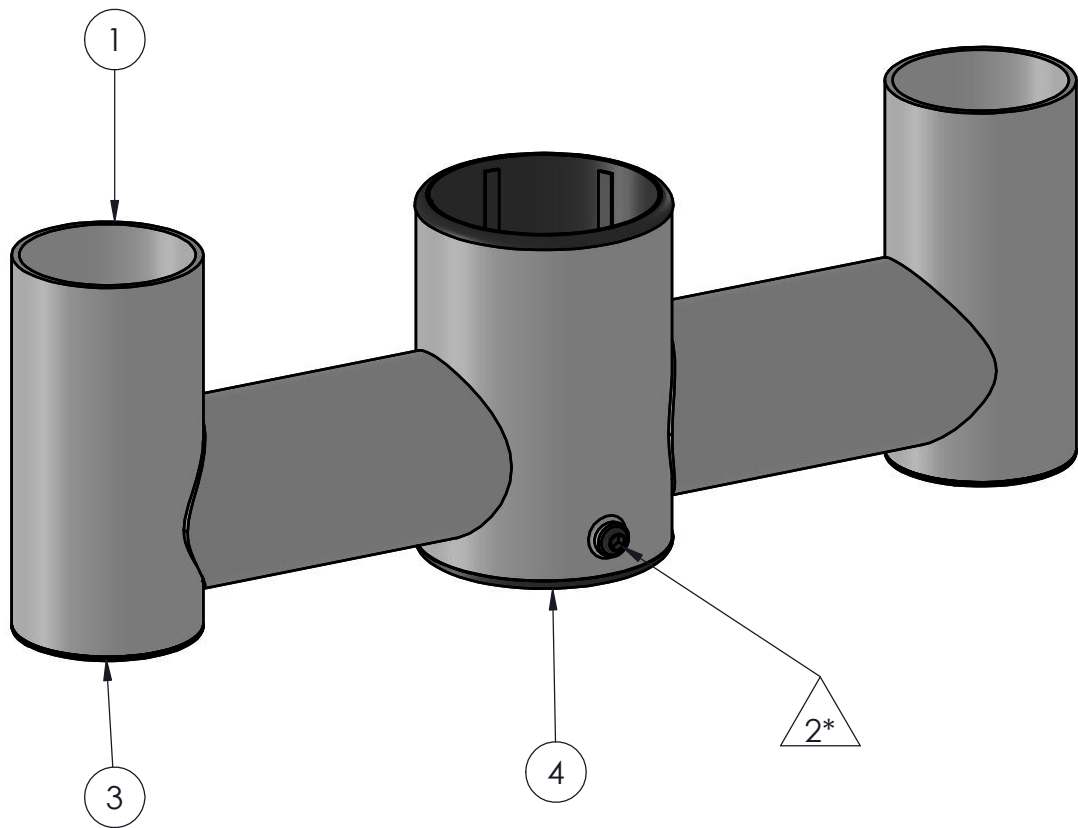



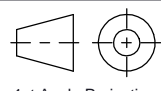
Rev	Change	Date	Int.
-----	--------	------	------



POS	PARTNUMBER	QTY.	DESCRIPTION
1	SP2-C200070U	1	Double Swingarm SP2, 2 x 100mm with 2x 78mm Endpole
2	M9915-0606-02	1	Grub screw M6x6mm with hex hole, black
3	SP1-P22104-02	2	SP1 End Cap with SpacePole Logo
4	SP2-P22112-02	2	Anti-wobble plastic sleeve SP2

***SELECT
VARIANT**

See triangular
balloon &
parts list

Description Double Swingarm SP2, 2 x 100mm with 2x 78mm Endpole		Category Swingarms	Weight	Revision A
	COPYRIGHT © ERGONOMIC SOLUTIONS 2021 www.ergonomic.solutions		Size: A4	Name
			Drawn	06/06/2016
	<small>Unless otherwise specified tolerances according to ISO 2768-m All dimensions are in millimeters</small>		Last Update	jeppe.pedersen
 <small>1st Angle Projection</small>		Drawing No SP2-C200070		