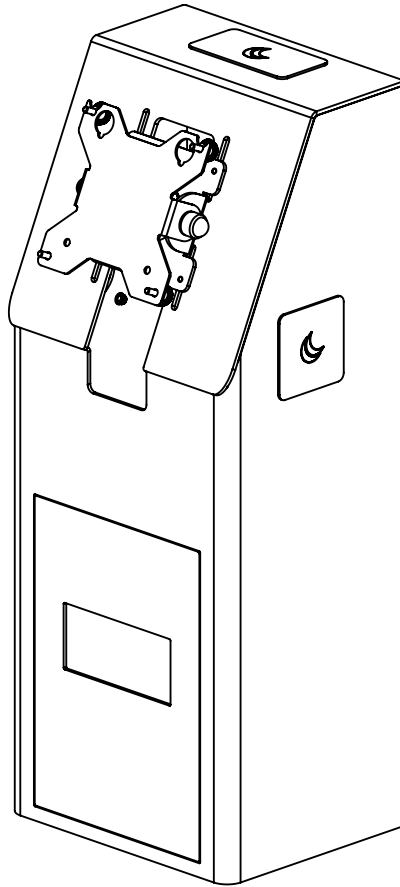


Installation Guide

SpacePole Mini Kiosk Wall Mounted

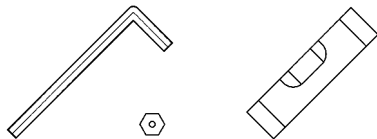




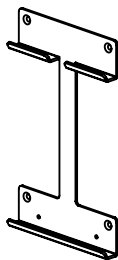
CAUTION

- Please ensure that you read and understand the content of the installation guide before you begin the installation process.
- This product must be installed by a professional installer.
- This product is designed to be mounted on a wall. Before installation please verify that the supporting surface can bear the combined weight of the solution and hardware
- Do not overtighten the fixings.
- It is the responsibility of the installer to use the appropriate fixings for the specific installation location. Please follow the fixing suppliers recommendations for installation.
- This product is intended for indoor use only.
- This solution is designed for certified hardware and accessories. Always follow the installation guide from the hardware manufacturer for correct installation.
- Please don't power the hardware, until the entire solution is fully assembled.
- If these installation instructions are not followed precisely, it could lead to product failure and potential personal injury.
- Ergonomic Solutions / SpacePole inc. cannot be held responsible for any product failure or personal injury, if the installation instructions are not followed correctly.
- Ergonomic Solutions / SpacePole inc. cannot be held responsible for any product failure or personal injury, if any modifications have been made to the product by the customer.

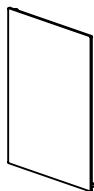
Tool list



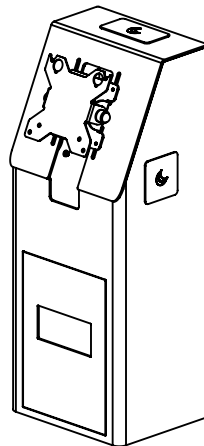
Box content



1x (A)



1x (C)



1x (B)



2 x M5x12 Hex headed screws

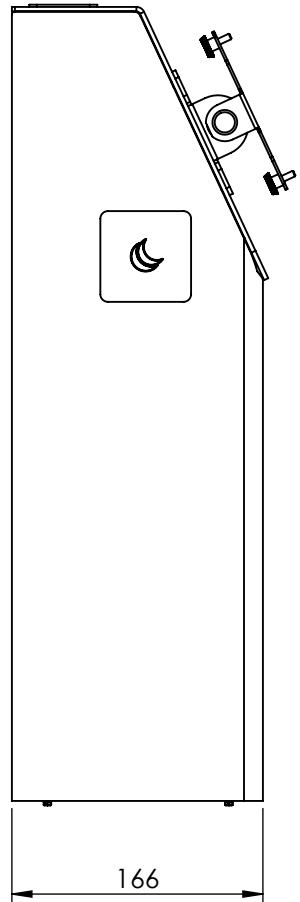
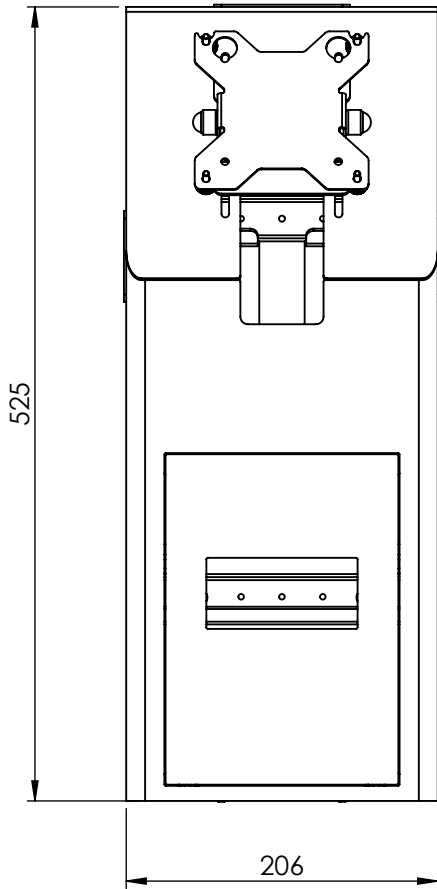


4 x M4 Thumb screws



4 x Ø4,2x5mm Spacers

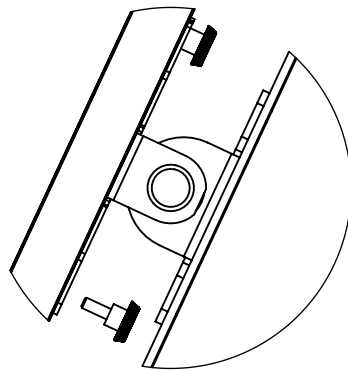
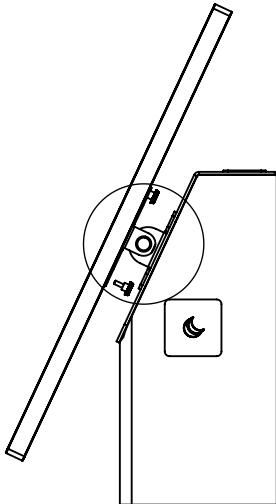
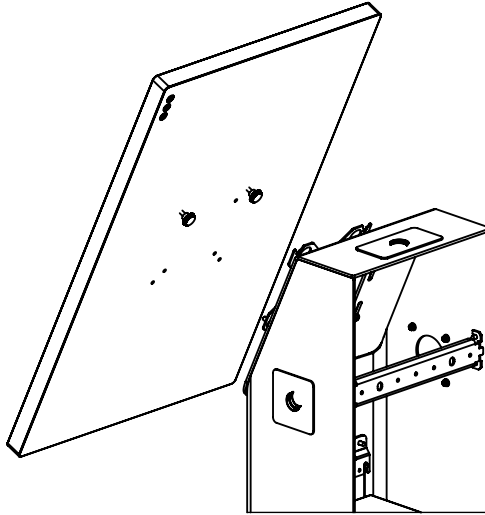
Dimensions [mm]



Steps

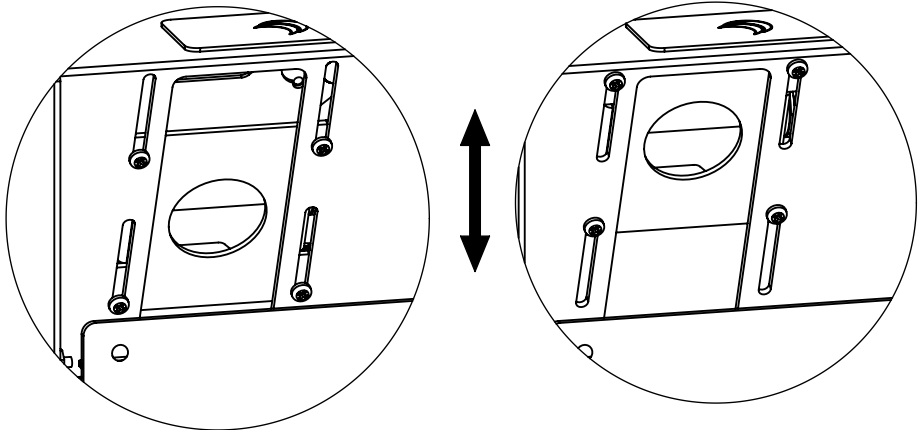
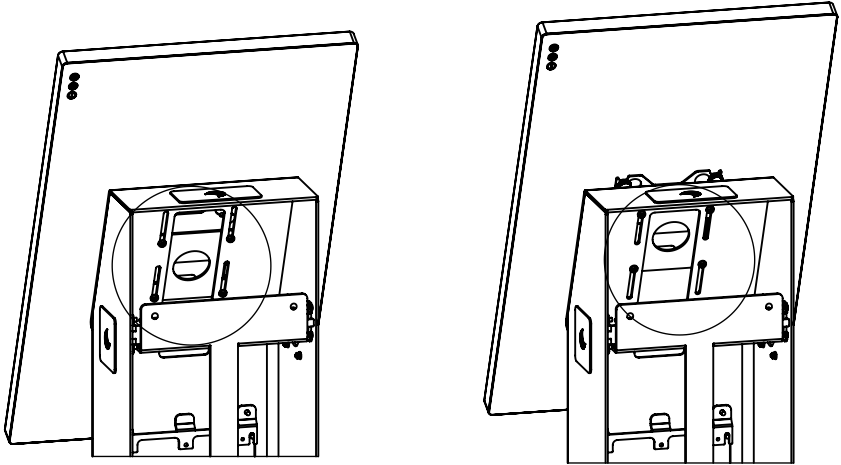
Step 1: Mount two of the included thumb screws to the top VESA holes on the screen and hook the screen onto the keyholes of the VESA plate. Then, attach the remaining two thumb screws to the bottom two holes on the screen and tighten them securely.

Note: For screens with short threaded inserts, use the included spacers.



Steps

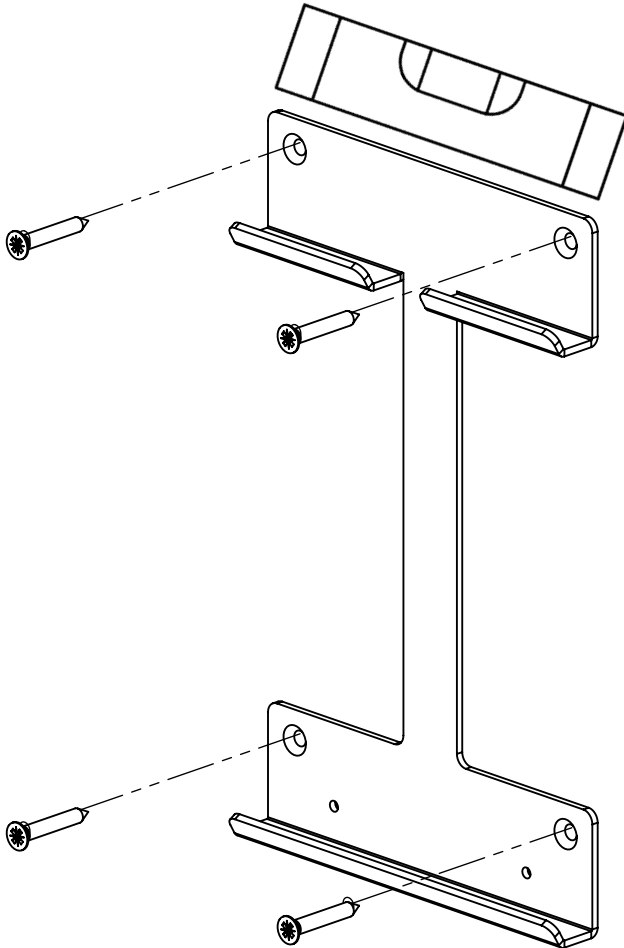
Step 2: To adjust the height of the screen, loosen the four screws slightly. Set the VESA mount to the desired height, and tighten the screws securely.



Steps

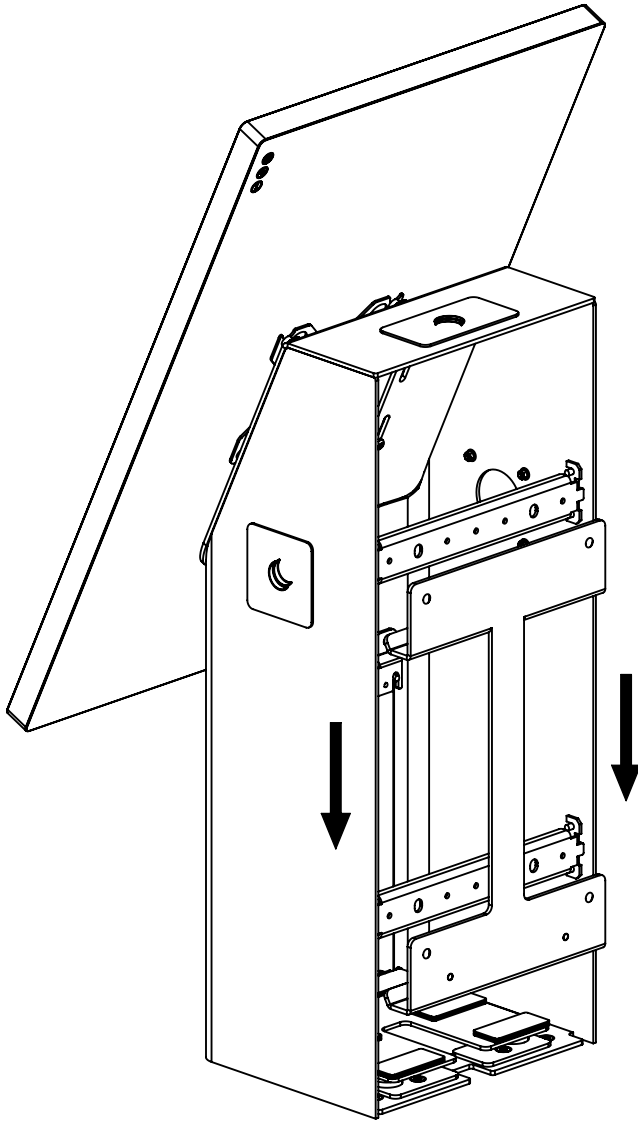
Step 3:

Mount the wall bracket with M6 countersunk screws into the wall. It is the installer's responsibility to ensure that the correct fixings are used.



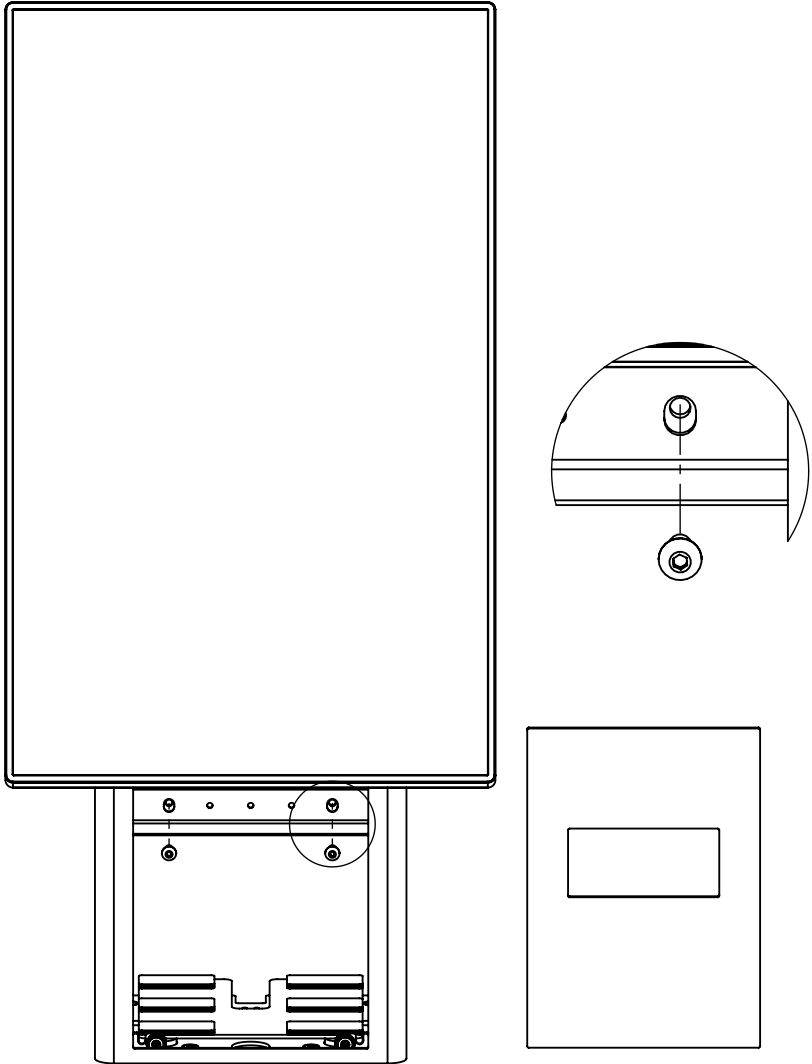
Steps

Step 4: Slide the wall module down over the wall bracket.



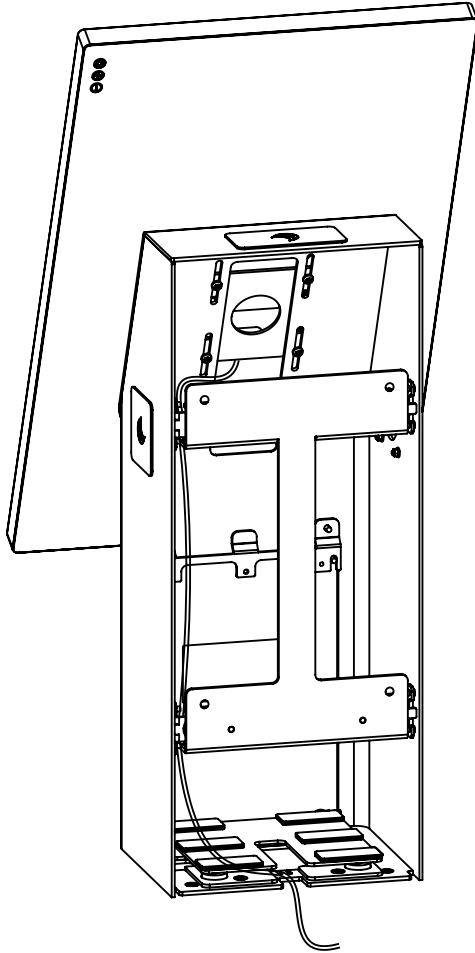
Steps

Step 5: Remove the printer cover, and attach the module to the wall bracket with the two M5 x 12mm screws.



Steps

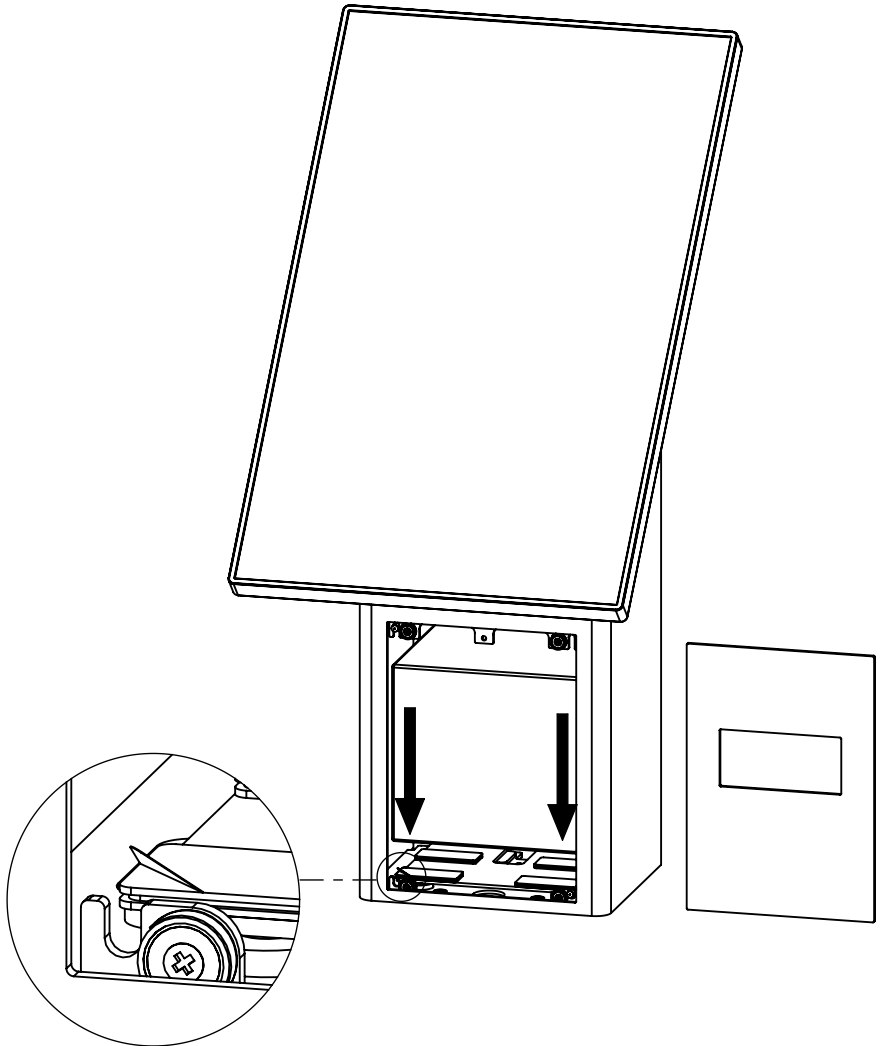
Step 6: Guide the cables from the screen down through the module and out through the cable hole at the bottom.



Steps

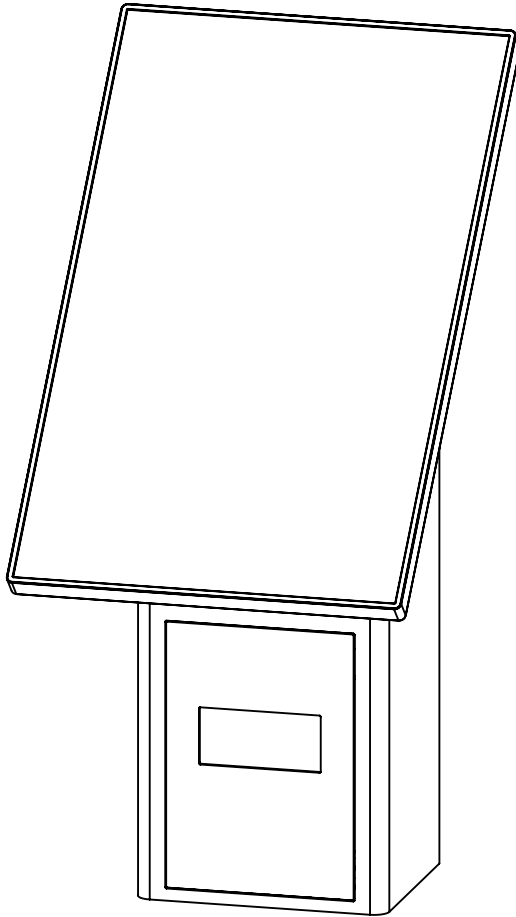
Step 7: Remove the protective paper from the Velcro. Guide the cables from the printer through the cable hole, position the printer as far forward as possible, and then press the printer down onto the self-adhesive Velcro.

If no printer is used, replace the front cover with Part C and skip this step.



Steps

Step 8: Reattach the printer cover.



Need help? Contact us



ergonomic.solutions/about/contact-us

spacepole.com/about/contact-us