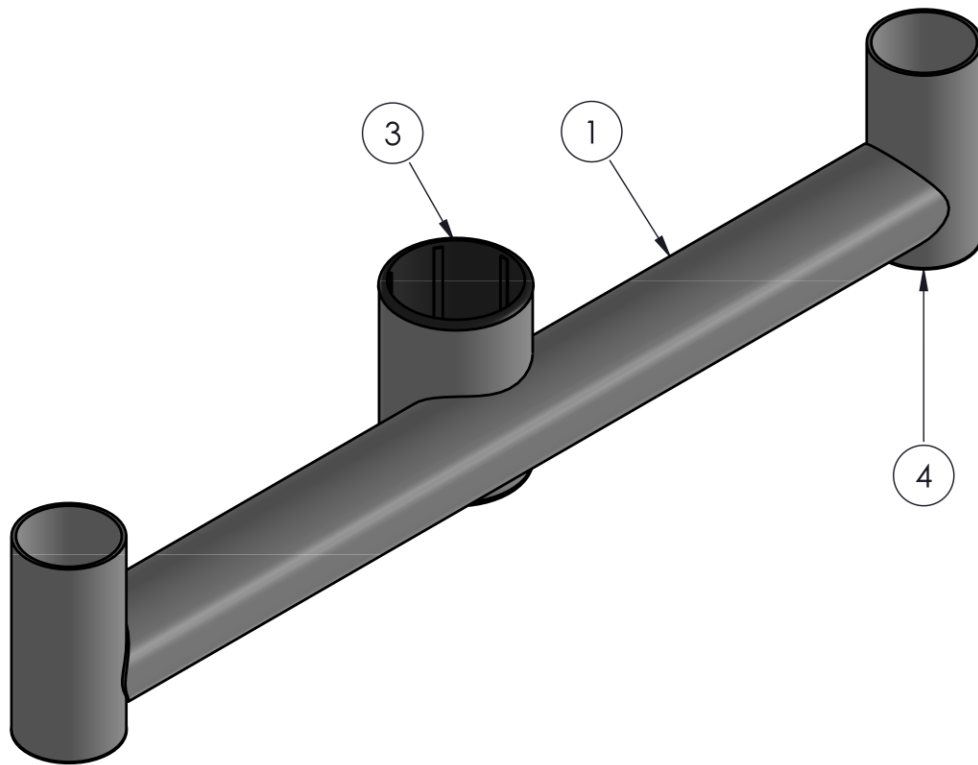
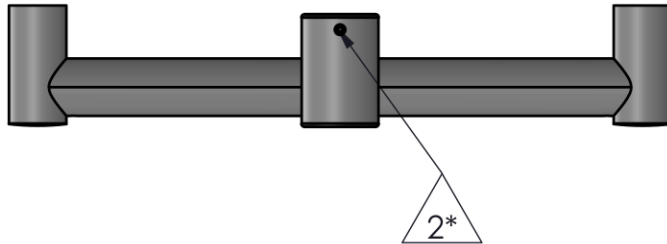



Rev	Change	Date	Int.
B	2x endcaps added	01.07.15	PL



POS	PARTNUMBER	SP2-C200031_S1	DESCRIPTION
1	SP2-C200031U	1	SP2 outerpole, Kaufland double swingarm 2x200mm with 2x78mm endpole
2	M9915-0606	1	Pinol M6x6mm, with hex hole
3	SP2-P22112-02	2	Anti-wobble plastic sleeve SP2
4	SP1-P22104-02	2	SP1 end cap

***SELECT VARIANT**

See triangular balloon & parts list

 ergonomic solutions	DESCRIPTION SP2, double swingarm 2x200mm with 2x78mm endpole		Category Swingarms	Weight 0.93 kg	Revision B
	COPYRIGHT © ERGONOMIC SOLUTIONS 2015 www.ergonomic-solutions.net		Size: A4	Name jp	Date 26-05-2015
	Unless otherwise specified tolerances according to ISO 2768-m All dimensions are in millimeters		Drawn Last Update	pl	01-07-2015
			Drawing No	SP2-C200031	