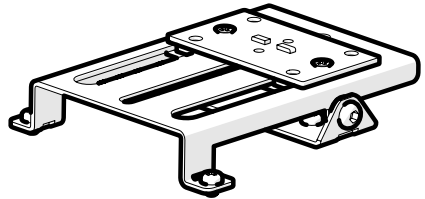
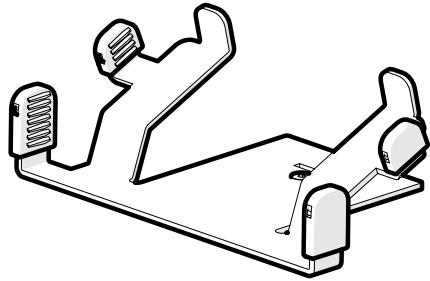
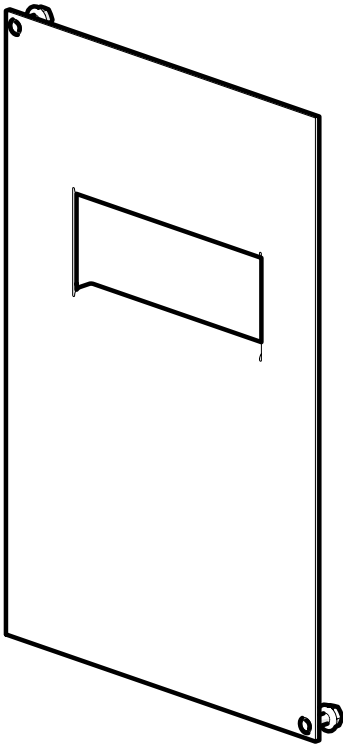


# Installation Guide

## SPSK501

### SCO Kiosk set for TM-T88 printer



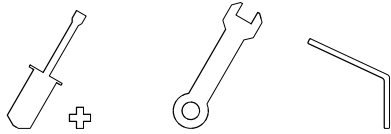
**CAUTION**

This product is intended for indoor use only.

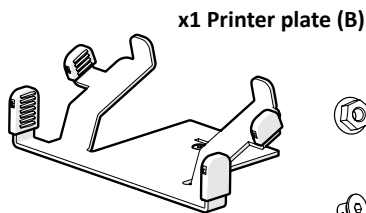
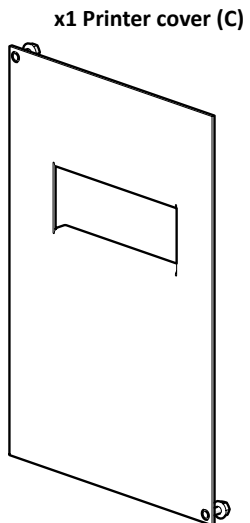
If these installation instructions are not followed precisely, it could lead to product failure and potential personal injury.

Ergonomic Solutions/SpacePole cannot be held responsible for any failure or injury, if the installation instructions are not followed correctly.

**Tool list**



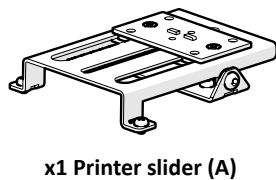
**Box content**



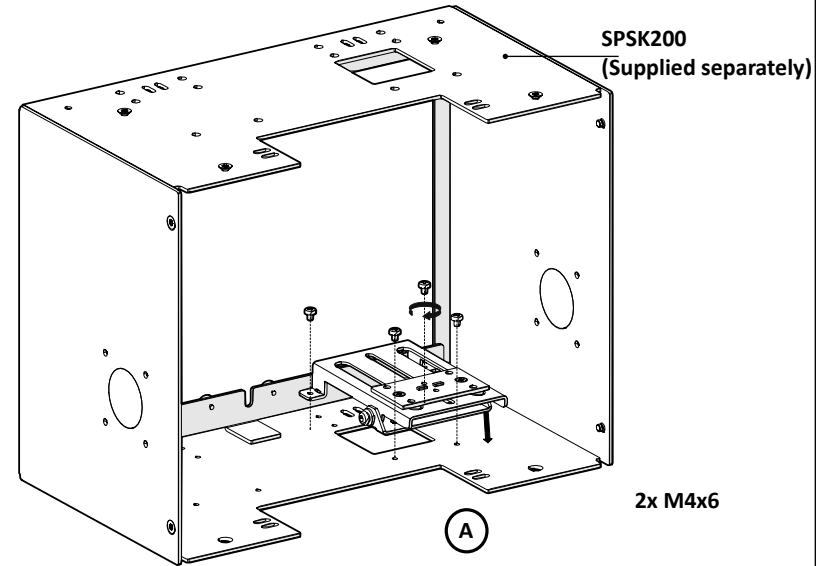
x2 M4 nuts

x2 M4x6 countersunk

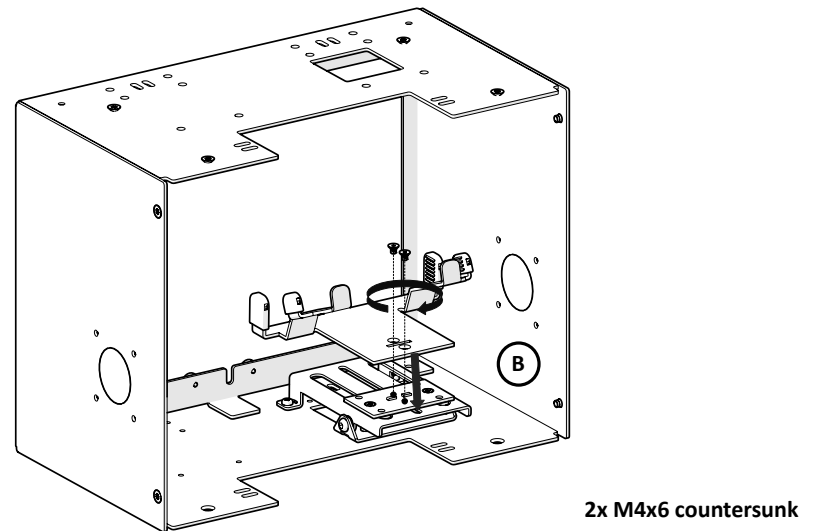
x2 M4x6



**1 Mount printer slider**



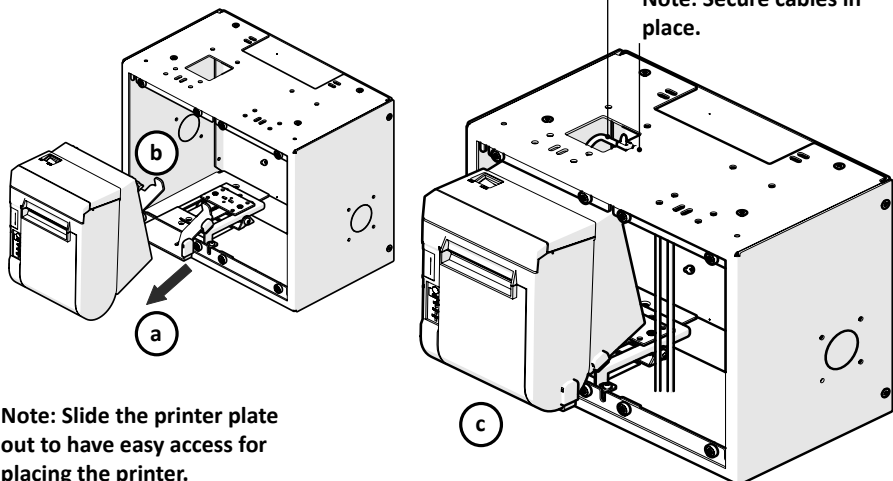
**2 Mount printer plate**



### 3 Place printer on plate

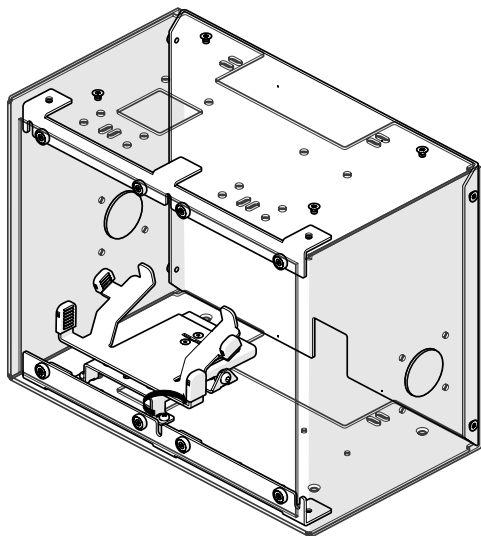
Note: Cables must be routed in a relax state with a bit of slack before pushing the printer in position.

Note: Secure cables in place.



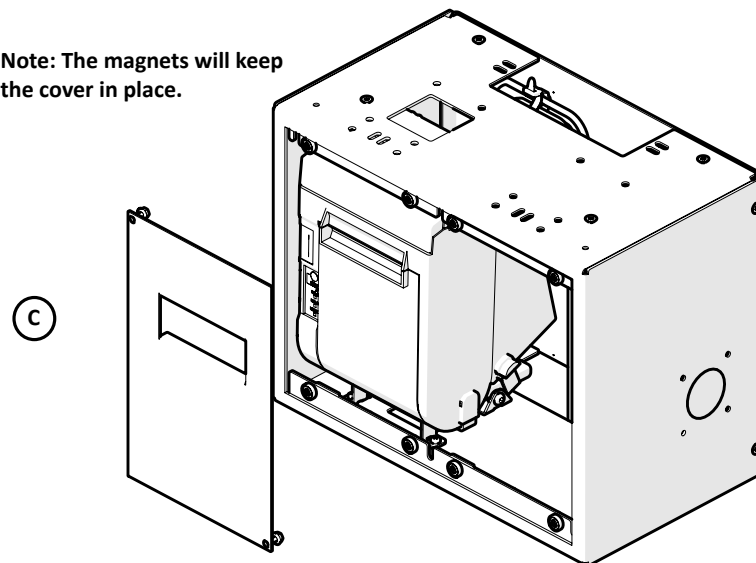
### 4 Angle printer

Note: Adjust the two front screws to angle the printer.



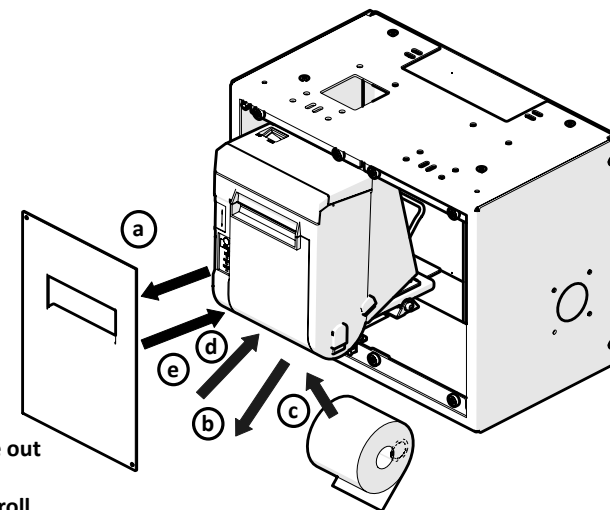
### 5 Mount printer cover

Note: The magnets will keep the cover in place.



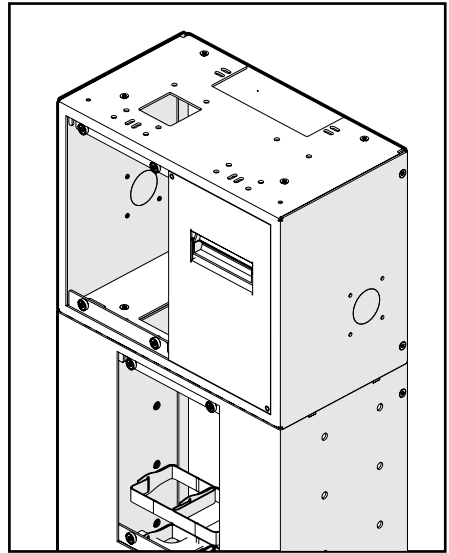
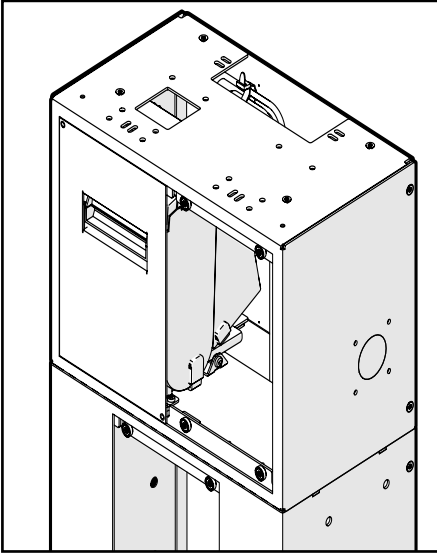
### Change paper roll

- a Remove cover
- b Slide printer and plate out
- c Change to new paper roll
- d Slide printer and plate in
- e Mount cover



## Three options for mounting places

Center module



Floorstand

